

XLERATOR® - Surface Mounted - Hand Dryers



XL-BW



XL-W



XL-GR



XL-C



XL-SB

Specifications

Construction

- A. Cover shall be one of the following: **Die-cast zinc alloy** — One-piece, heavy-duty, rib-reinforced, light-weight, unbreakable, rustproof and all exposed surfaces shall be bright chrome plated or finished with chip-proof, electrostatically applied epoxy paint. **White thermoset (BMC)** - Glass reinforced bulk molding compound. **Stainless Steel**—with a brushed finish. All covers will be fastened to a wall plate by two chrome plated tamper-proof bolts.
- B. Hand dryer wall plate shall be equipped with (3) 7/8" (22 mm) diameter holes, one of which shall be suitable for use with surface conduit, for ease of wiring.
- C. All internal hand dryer parts shall be coated according to Underwriters' Laboratories, Inc. requirements.
- D. Entire mechanism shall be internally grounded.
- E. Optional Recess Kit includes a wall box (22 GA) and dryer mounting plate (16 GA) made from 304 brushed stainless steel. A stainless steel cable is connected to the dryer mounting plate to hold the dryer in position when servicing.

Mechanism

- A. Hand dryer motor shall be a series commutated through-flow discharge vacuum motor/blower (5/8 HP / 20,000 RPM) which provides air velocity of 16,000 LFM (linear feet per minute) at the air outlet and 14,000 LFM at the hands (4 inches [102 mm] below air outlet).
- B. Hand dryer heating element (900 W) is constructed of Nichrome wire and mounted inside the blower housing, thereby being vandal proof. It shall be protected by an automatic resetting thermostat, which shall open whenever air flow is cut off and shall close when flow of air is resumed. It shall produce an air temperature of up to 135°F (57°C) at a 72°F (22°C) ambient room temperature at the hands (4 inches [102 mm] below air outlet).
- C. Hand dryer Control assembly is activated by an infrared optical sensor located next to the air outlet. The dryer shall operate as long as hands are under the air outlet. There is a 35-second lockout feature if hands are not removed.

Underwriters' Laboratories, Inc. Listed

The entire dryer shall be listed under the re-examination service of Underwriters' Laboratories, Inc.

Dryers are available to meet requirements of:



Limited Warranty

The hand dryer shall be guaranteed to be free from defects for a period of five (5) years. Warranty shall include factory performed labor as well as the repair or exchange of defective parts, at manufacturer's option.

XLERATOR® Series - XL-W, XL-BW, XL-GR, XL-C, XL-SB

Model No.	Cover Finish	Mounting	Time Cycle	Dryer Type
XL-W, BW	White	Surface	Automatic	Hand Dryer
XL-GR	Graphite	Surface	Automatic	Hand Dryer
XL-C	Chrome	Surface	Automatic	Hand Dryer
XL-SB	Stainless	Surface	Automatic	Hand Dryer

Suggested Mounting Heights from Floor to Bottom of Dryer

Men	Women	Teenagers	Children	Handicapped
45" (114 cm.)	43" (109 cm.)	41" (104 cm.)	35" (89 cm.)	37" (94cm.)

Units are Available as Specified In:

110/120V	12.5 Amp.	60 Hz
208V	7 Amp.	60 Hz
220/240V	6.5 Amp.	50 or 60 HZ
277V	5.5 Amp.	60 Hz

50 Hz units are available for export

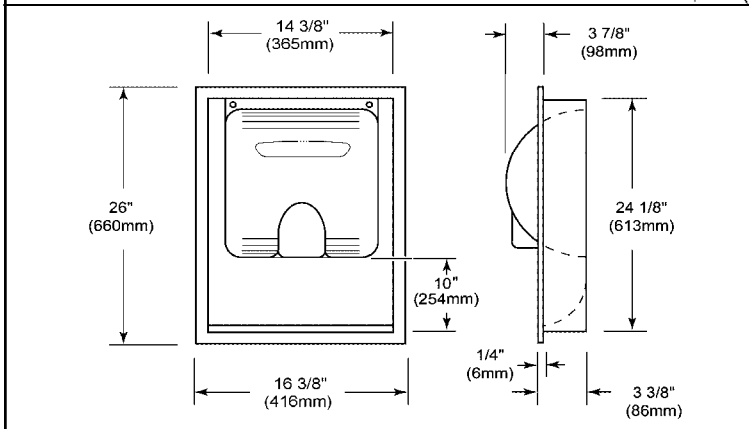
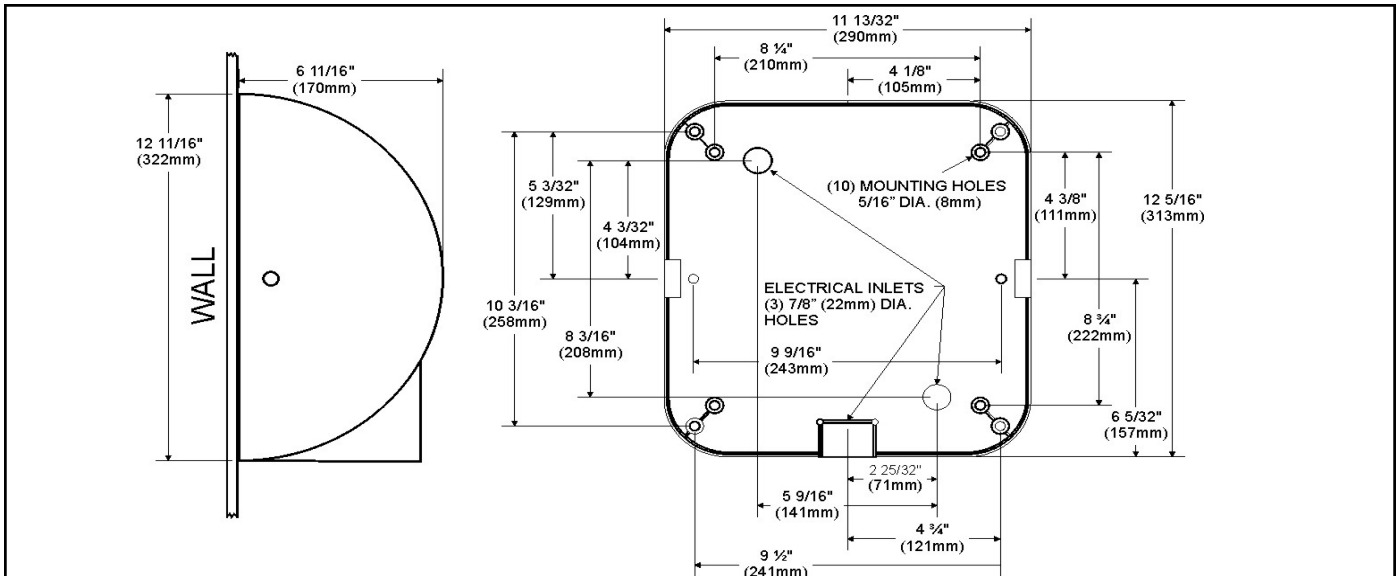
Dimensions / Weight

Dimensions:

11 3/4 lg. x 12 11/16" high x 6 11/16" deep
(298 mm x 322 mm x 170 mm)

Shipping Weight:

Metal Cover **Stainless Cover** **BMC Cover**
17 lbs. (7.3 kg) 15 lbs. (6.8 kg) 13 lbs. (5.9 kg)



Recess Kit (#40502) Optional (Meets ADA Requirements)

Dimensions: 16 3/8" wide x 26" high x 3 3/8" deep
(416 mm W x 660 mm H x 86 mm D)

Weight: 13 lbs. (5.9 kgs.)

Note: Base of recessed wall box should be 10" (254 mm) below suggested mounting height for dryer (see chart).



Excel Dryer, Inc.
357 Chestnut Street - P. O. Box 365
East Longmeadow, MA 01028 (USA)
Tel - 413.525.4531 Fax - 413.525.2853
Email: admin@exceldryer.com

